

Name: \_\_\_\_\_

Material: \_\_\_\_\_

Unit of Measure: \_\_\_\_\_

Company: \_\_\_\_\_

End Finish: \_\_\_\_\_

Additional Information: \_\_\_\_\_

Email: \_\_\_\_\_

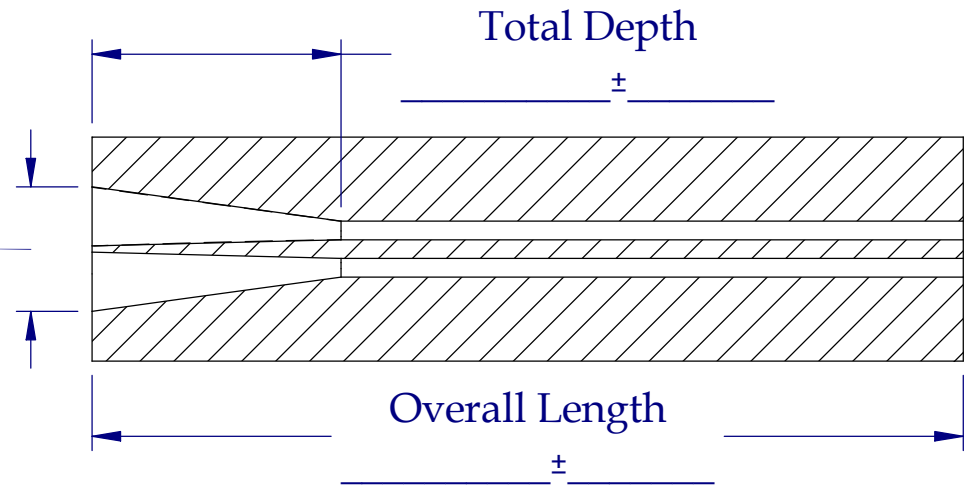
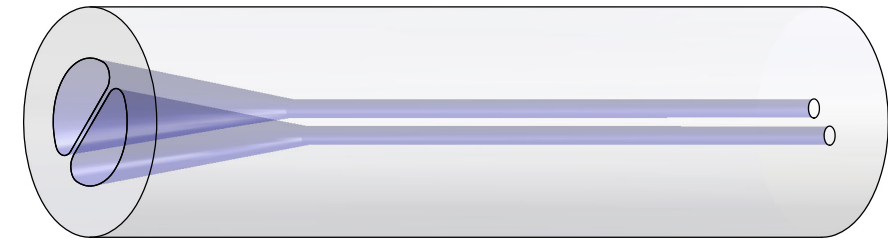
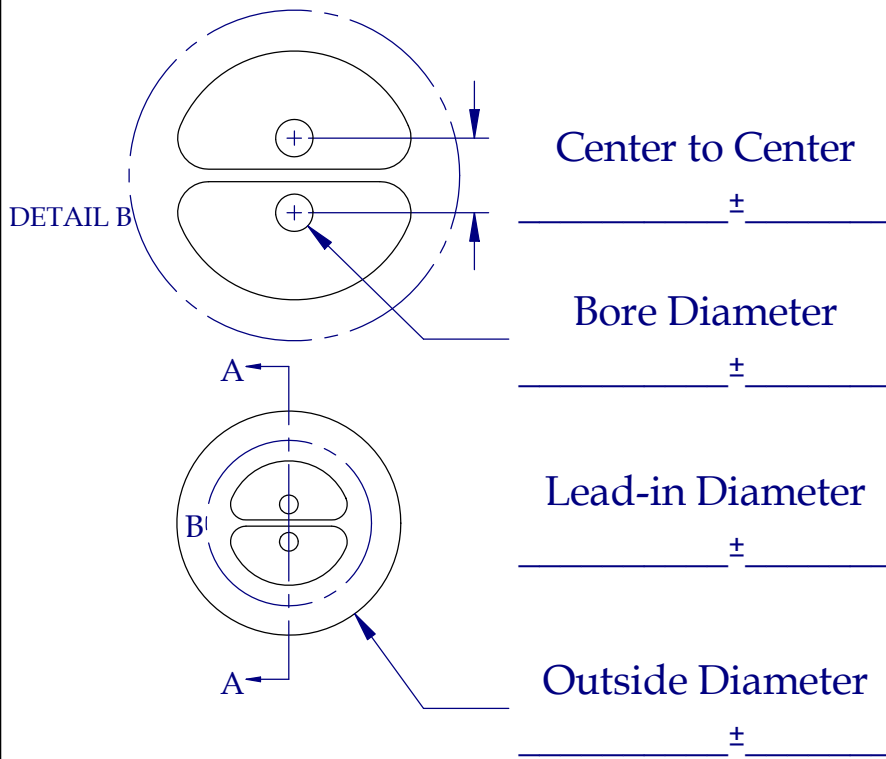
Quantity: \_\_\_\_\_

\_\_\_\_\_

Phone: \_\_\_\_\_

Target Price: \_\_\_\_\_

\_\_\_\_\_



**VITROCOM**  
a **fabrinet** company



Title : Double Bore Cone Ferrule Template

Material Options : Borosilicate / Clear Fused Quartz / Synthetic Fused Silica

End Finish Options : Saw Cut 400 Grit / Lapped 600 or 1000 Grit / Mechanical or Fire Polished