

Name: _____

Material: _____

Unit of Measure: _____

Company: _____

End Finish: _____

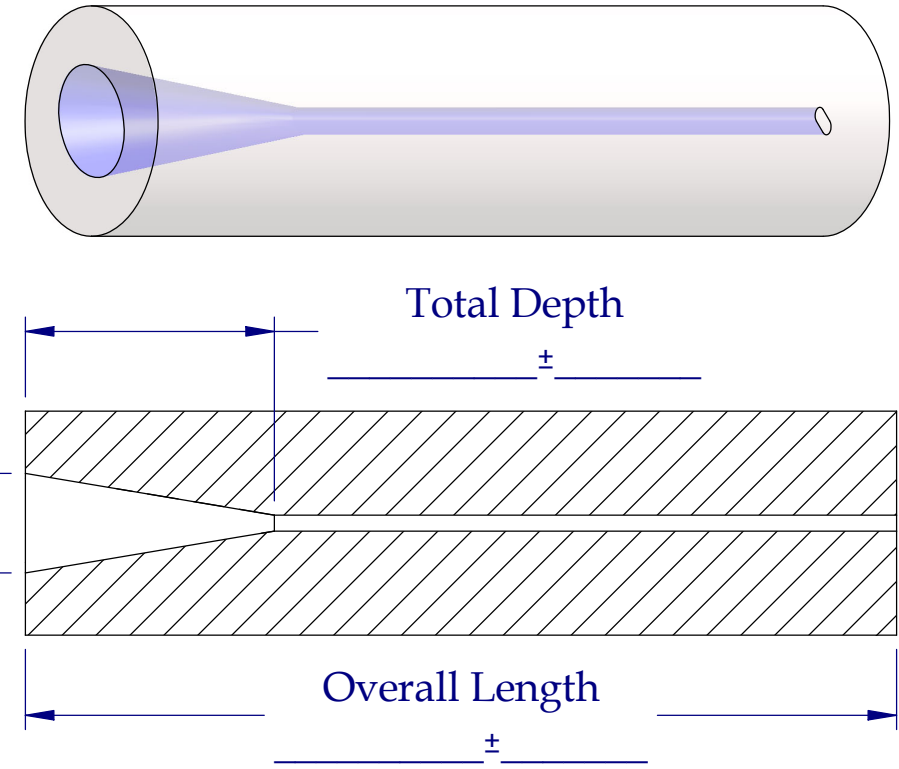
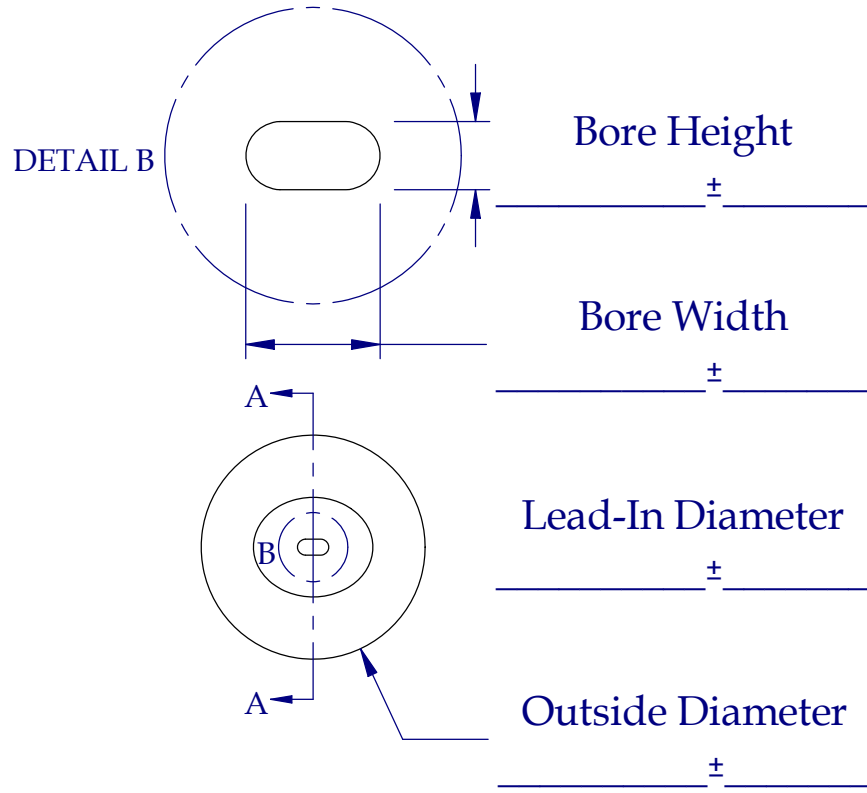
Additional Information: _____

Email: _____

Quantity: _____

Phone: _____

Target Price: _____



Title : Racetrack Bore Cone Ferrule Template

Material Options : Borosilicate / Clear Fused Quartz / Synthetic Fused Silica

End Finish Options : Saw Cut 400 Grit / Lapped 600 or 1000 Grit / Mechanical or Fire Polished