

Name: _____

Material: _____

Unit of Measure: _____

Company: _____

End Finish: _____

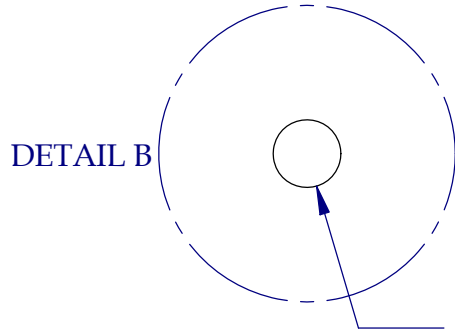
Additional Information: _____

Email: _____

Quantity: _____

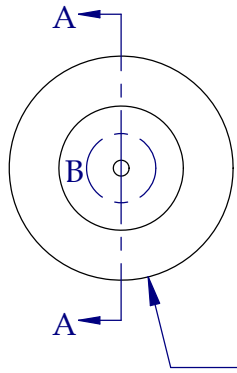
Phone: _____

Target Price: _____



Bore Diameter

_____ ± _____

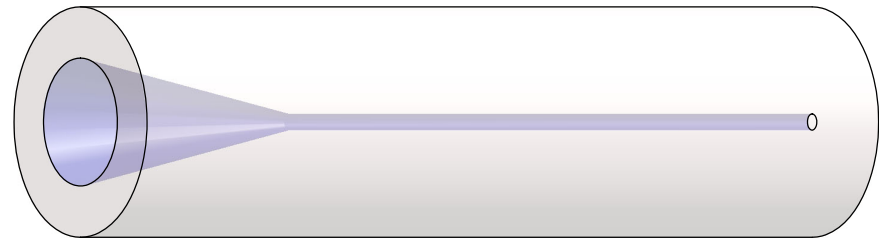


Lead-In Diameter

_____ ± _____

Outside Diameter

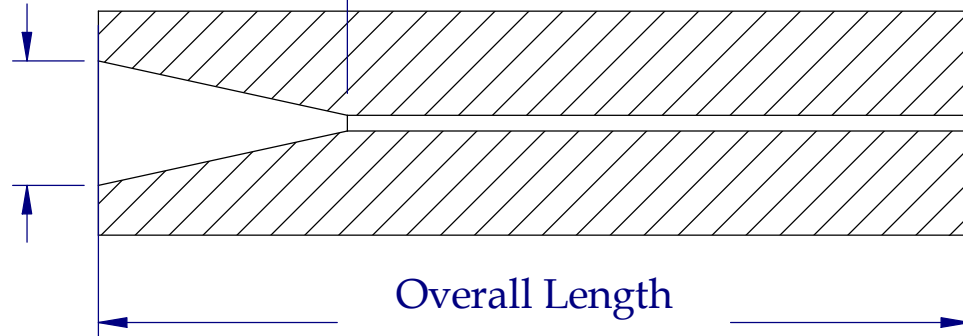
_____ ± _____



Total Depth



_____ ± _____



Overall Length

_____ ± _____

VITROCOM
a **fabrinet** company



Title : Single Bore Cone Ferrule Template

Material Options : Borosilicate / Clear Fused Quartz / Synthetic Fused Silica

End Finish Options : Saw Cut 400 Grit / Lapped 600 or 1000 Grit / Mechanical or Fire Polished